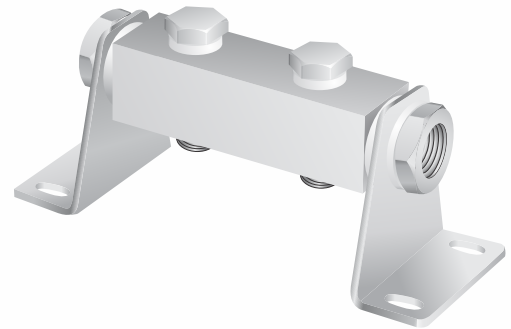
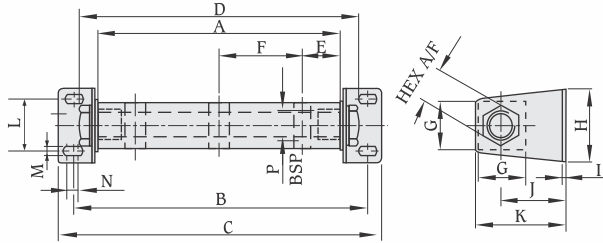


Common Supply Manifold (CSM)

Basic Dimensions

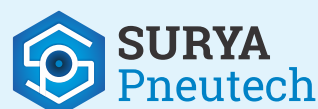


Scope of supply

- Manifold-1 no
- Mounting bracket-2 nos.
- Reducer-1 no
- Plug-1 no
- Sealing ring-2 nos. for each hollow bolt
- Blanking caps on demand at extra cost

Order code No. and type	Connection	A	B	C	D	E	F	G	H	I	J	K	L	M	N	P
CSM - 1/8" - 2	1/4" BSP	70	96	114	89	18	34	21	44	2	33.5	44.5	32	5.2	4	3/8" BSP
CSM - 1/8" - 3	1/4" BSP	104	130	148	123	18	34	21	44	2	33.5	44.5	32	5.2	4	3/8" BSP
CSM - 1/8" - 4	1/4" BSP	138	164	182	157	18	34	21	44	2	33.5	44.5	32	5.2	4	3/8" BSP
CSM - 1/8" - 5	1/4" BSP	172	198	216	191	18	34	21	44	2	33.5	44.5	32	5.2	4	3/8" BSP
CSM - 1/8" - 6	1/4" BSP	206	232	250	225	18	34	21	44	2	33.5	44.5	32	5.2	4	3/8" BSP
CSM - 1/8" - 8	1/4" BSP	274	300	318	293	18	34	21	44	2	33.5	44.5	32	5.2	4	3/8" BSP
CSM - 1/8" - 10	1/4" BSP	342	368	386	361	18	34	21	44	2	33.5	44.5	32	5.2	4	3/8" BSP
CSM - 1/4" - 2	3/8" BSP	72	100	120	94	20	32	25	56	2	42.0	56.0	44	7.0	4	1/2" BSP
CSM - 1/4" - 3	3/8" BSP	104	132	152	126	20	32	25	56	2	42.0	56.0	44	7.0	4	1/2" BSP
CSM - 1/4" - 4	3/8" BSP	136	164	184	158	20	32	25	56	2	42.0	56.0	44	7.0	4	1/2" BSP
CSM - 1/4" - 5	3/8" BSP	168	196	216	190	20	32	25	56	2	42.0	56.0	44	7.0	4	1/2" BSP
CSM - 1/4" - 6	3/8" BSP	200	228	248	222	20	32	25	56	2	42.0	56.0	44	7.0	4	1/2" BSP
CSM - 1/4" - 8	3/8" BSP	264	292	312	286	20	32	25	56	2	42.0	56.0	44	7.0	4	1/2" BSP
CSM - 1/4" - 10	3/8" BSP	328	356	376	350	20	32	25	56	2	42.0	56.0	44	7.0	4	1/2" BSP

Note: Subject to change without prior notice



Surya Pneutech

Gat No. 166, Triveni Nagar,
Talwade, Pune 412 114 INDIA
Call : +91 98811 46417
E-mail : info@suryapneutech.com
www.suryapneutech.com